

Technical Information

TH51, TH52 and TH56

General purpose MgO insulated thermocouples with connection head, extension lead wires or connectors for process and laboratory applications



Application

Magnesium Oxide (MgO) insulated thermocouples are used in many process and laboratory applications. They have many desirable characteristics making thermocouples a good choice for general and special purpose applications.

The sensors can be used on:

- Heat exchangers
- Power and recovery areas
- Furnaces, dryers, flue gas
- Compressor stations
- Process reactors
- Metallurgical and glass manufacturing

Head transmitter

All Endress+Hauser transmitters are available with enhanced accuracy and reliability compared to directly wired sensors. Easy customizing by choosing one of the following outputs and communication protocols:

- Analog output 4 to 20 mA
- HART®
- PROFIBUS® PA
- FOUNDATION Fieldbus™
- Bluetooth® connectivity (optional)

Field transmitter

Temperature field transmitters with HART® or FOUNDATION Fieldbus™ protocol for highest reliability in harsh industrial environments. Backlit display with large measured value, bargraph and fault condition indication for ease of reading.

Your benefits

- One source shopping for temperature measurement solutions. World class transmitter with integrated sensor offering. Remove and install straight out of the box!
- Improved galvanic isolation on most devices (2 kV)
- Simplified model structure: Competitively priced, offers great value. Easy to order and reorder. A single model number includes sensor and transmitter assembly for a complete point solution.
- All iTEMP transmitters provide long-term stability $\leq 0.05\%$ per year

Function and system design

Measuring principle


Thermocouples (TC)

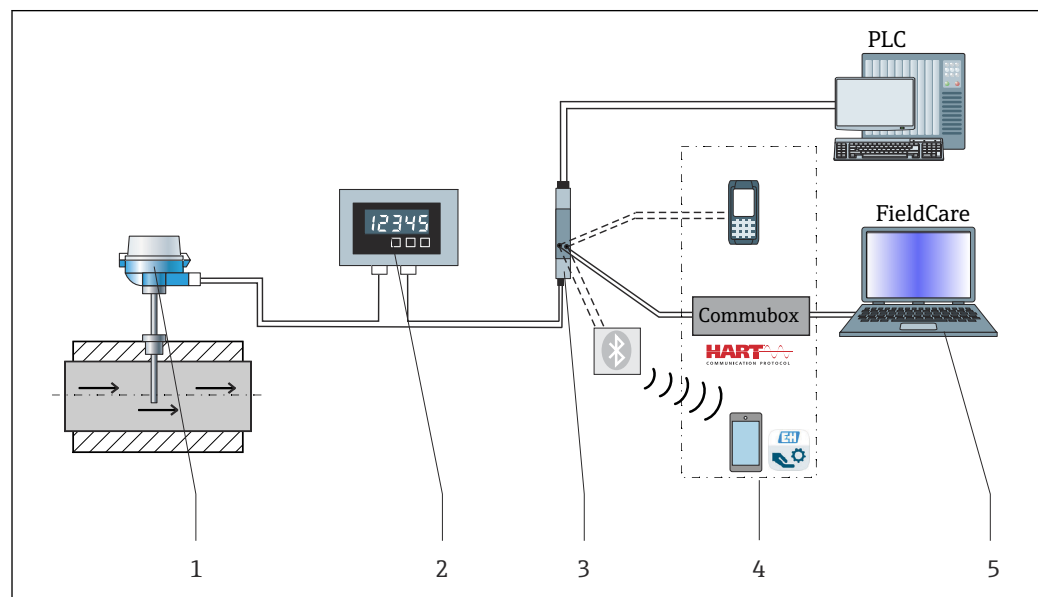
Thermocouples are comparatively simple, robust temperature sensors which use the Seebeck effect for temperature measurement: if two electrical conductors made of different materials are connected at a point, a weak electrical voltage can be measured between the two open conductor ends if the conductors are subjected to a thermal gradient. This voltage is called thermoelectric voltage or electromotive force (emf.). Its magnitude depends on the type of conducting materials and the temperature difference between the "measuring point" (the junction of the two conductors) and the "cold junction" (the open conductor ends). Accordingly, thermocouples primarily only measure differences in temperature. The absolute temperature at the measuring point can be determined from these if the associated temperature at the cold junction is known or is measured separately and compensated for. The material combinations and associated thermoelectric voltage/temperature characteristics of the most common types of thermocouple are standardized in the IEC 60584 and ASTM E230/ANSI MC96.1 standards.

Measuring system


Endress+Hauser offers a complete portfolio of optimized components for the temperature measuring point – everything you need for the seamless integration of the measuring point into the overall facility. This includes:

- Power supply unit/barrier
- Display units
- Overvoltage protection

 For more information, see the brochure 'System Components - Solutions for a Complete Measuring Point' (FA00016K)



A0035235

 1 Example of application, measuring point layout with additional Endress+Hauser components

- 1 Installed thermometer with HART® communication protocol
- 2 RIA15 loop powered process display - It is integrated in the current loop and displays the measuring signal or HART® process variables in digital form. The process display unit does not require an external power supply. It is powered directly from the current loop. More information on this can be found in the Technical Information.
- 3 Active barrier RN42 - The RN42 (17.5 V_{DC}, 20 mA) active barrier has a galvanic isolated output for supplying voltage to loop powered transmitters. The universal power supply works with an input supply voltage of 24 to 230 V AC/DC, 0/50/60 Hz, which means that it can be used in all international power grids. More information on this can be found in the Technical Information.
- 4 Communication examples: HART® handheld communicator FieldXpert, Commubox FXA195 for intrinsically safe HART® communication with FieldCare via the USB interface, Bluetooth® technology with SmartBlue App.
- 5 FieldCare is a FDT-based plant asset management tool from Endress+Hauser, more details see section 'accessories'.

Input

Measured variable Temperature (temperature-linear transmission behavior)

Measurement range

Measuring range by type and size

Upper temperature limits for various sheath diameters °C (°F)							
Nominal diameter			Thermocouple type				
Sheath O.D.	Element wire Ø (in)	Element wire gauge	T	J	E	K	N
Ø 1/16 in	0.010	30	260 °C (500 °F)	440 °C (825 °F)	510 °C (950 °F)	920 °C (1 690 °F)	
Ø 1/8 in	0.020	24	315 °C (600 °F)	520 °C (970 °F)	650 °C (1 200 °F)	1 070 °C (1 960 °F)	
Ø 3/16 in	0.029	21	370 °C (700 °F)	620 °C (1 150 °F)	730 °C (1 350 °F)	1 150 °C (2 100 °F)	
Ø 1/4 in	0.039	19		720 °C (1 330 °F)	820 °C (1 510 °F)		
Ø 3/8 in	0.060	15					
Maximum element temperature range limits			-270 to +400 °C (-454 to +752 °F)	-210 to +1 200 °C (-346 to +2 192 °F)	-270 to +1 000 °C (-454 to +1 832 °F)	-270 to +1 372 °C (-454 to +2 500 °F)	-270 to +1 300 °C (-454 to +2 372 °F)



These values are valid for single and duplex thermocouples. The temperature limits given are intended only as a guide to the user and should not be taken as absolute values or as guarantees of satisfactory life or performance. These types and sizes are sometimes used at temperatures above the given limits, but usually at the expense of stability or life or both. In other instances, it may be necessary to reduce the above limits in order to achieve adequate service.

Duplex versions (2 elements) of type N with 1/16 in, 3/16 in and 3/8 in sheath diameter are not available. Thermocouples with 316 SS sheath are rated for a maximum temperature of 927 °C (1 700 °F).

Output

Output signal

Generally, the measured value can be transmitted in one of two ways:

- Directly-wired sensors - sensor measured values forwarded without a transmitter.
- Via all common protocols by selecting an appropriate Endress+Hauser iTEMP temperature transmitter. All the transmitters listed below are mounted directly in the terminal head or as field transmitter and wired with the sensory mechanism.

Family of temperature transmitters

Thermometers fitted with iTEMP transmitters are an installation-ready complete solution to improve temperature measurement by significantly increasing accuracy and reliability, when compared to direct wired sensors, as well as reducing both wiring and maintenance costs.

4 to 20 mA head transmitters

They offer a high degree of flexibility, thereby supporting universal application with low inventory storage. The iTEMP transmitters can be configured quickly and easily at a PC. Endress+Hauser offers free configuration software which can be downloaded from the Endress+Hauser Website. More information can be found in the Technical Information.

HART® head transmitters

The transmitter is a 2-wire device with one or two measuring inputs and one analog output. The device not only transfers converted signals from resistance thermometers and thermocouples, it also transfers resistance and voltage signals using HART® communication. Swift and easy operation, visualization and maintenance using universal device configuration tools like FieldCare, DeviceCare or FieldCommunicator 375/475. Integrated Bluetooth® interface for the wireless display of

measured values and configuration via E+H SmartBlue (app), optional. For more information, see the Technical Information.

PROFIBUS® PA head transmitters

Universally programmable head transmitter with PROFIBUS® PA communication. Conversion of various input signals into digital output signals. High accuracy over the complete ambient temperature range. The configuration of PROFIBUS PA functions and of device-specific parameters is performed via fieldbus communication. For more information, see the Technical Information.

FOUNDATION Fieldbus™ head transmitters

Universally programmable head transmitter with FOUNDATION Fieldbus™ communication. Conversion of various input signals into digital output signals. High accuracy over the complete ambient temperature range. All transmitters are released for use in all important process control systems. The integration tests are performed in Endress+Hauser's "System World". For more information, see the Technical Information.

Advantages of the iTEMP transmitters:

- Dual or single sensor input (optionally for certain transmitters)
- Pluggable display (optionally for certain transmitters)
- Unsurpassed reliability, accuracy and long-term stability in critical processes
- Mathematical functions
- Monitoring of the thermometer drift, sensor backup functionality, sensor diagnostic functions
- Sensor-transmitter matching for dual sensor input transmitters, based on Callendar-Van-Dusen-coefficients (CvD).


Field transmitter

Field transmitter with HART®, FOUNDATION Fieldbus™ or PROFIBUS® PA communication and backlit display. Can be read easily from a distance, in sunlight and at night. Large measurement value, bargraph and fault indication displayed. Benefits are: dual sensor input, highest reliability in harsh industrial environments, mathematic functions, thermometer drift monitoring and sensor back-up functionality, corrosion detection.

Galvanic isolation

Galvanic isolation of Endress+Hauser iTEMP transmitters

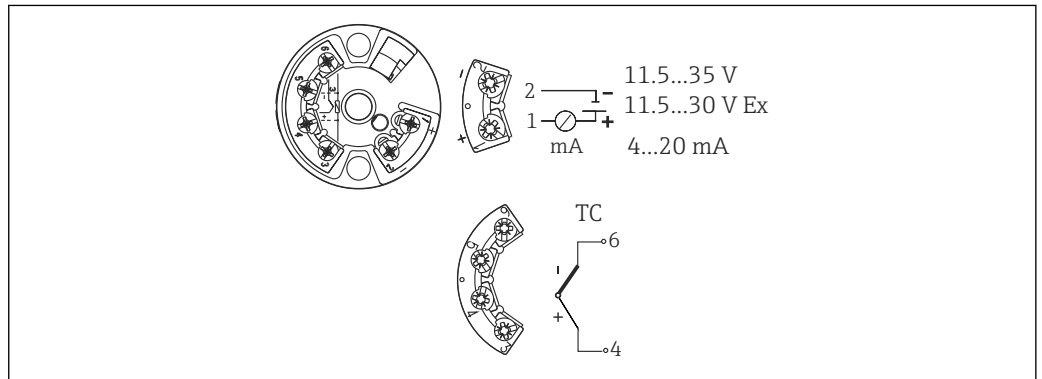
Transmitter type	Sensor
TMT162 HART® Field transmitter	U = 2 kV AC
TMT71	
TMT72 HART®	
TMT82 HART®	
TMT84 PA	
TMT85 FF	
TMT142B	

 In applications where fast response time is needed, grounded thermocouples are recommended. This thermocouple design may cause a ground loop. This can be avoided by using iTEMP transmitters with high galvanic isolation

Power supply

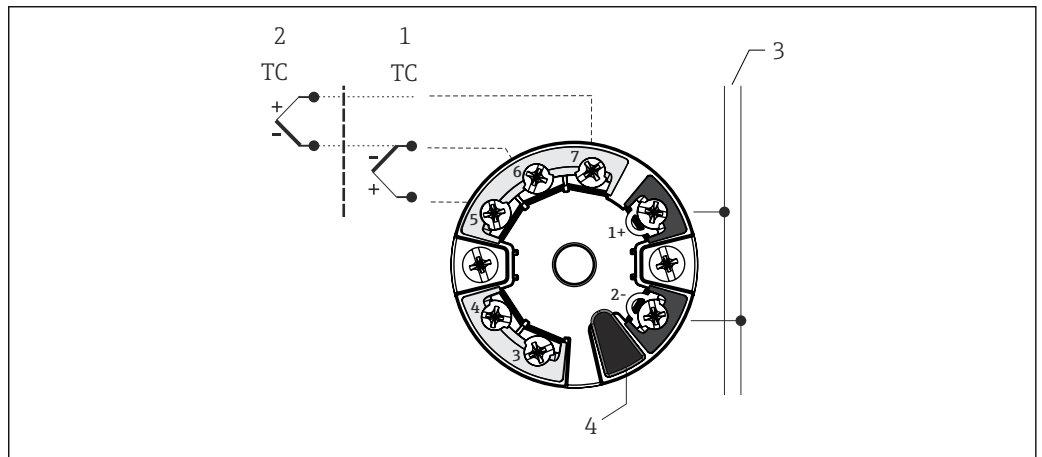
Terminal assignments

Type of sensor connection



A0026046

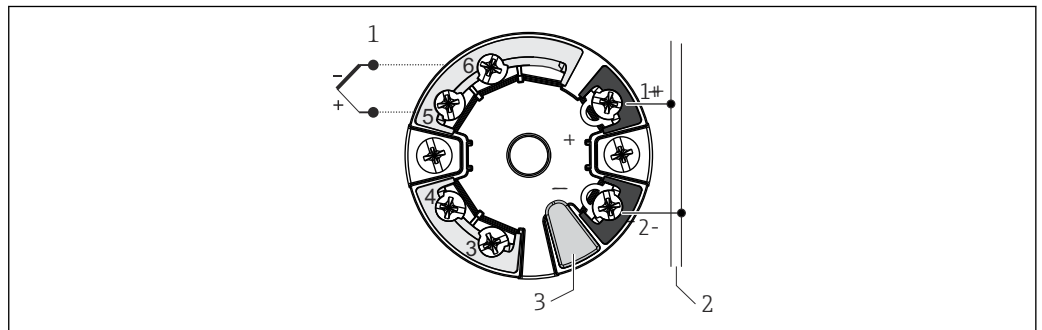
2 Head mounted transmitter TMT18x (single input)



A0045474

3 Head mounted transmitter TMT8x (dual input)

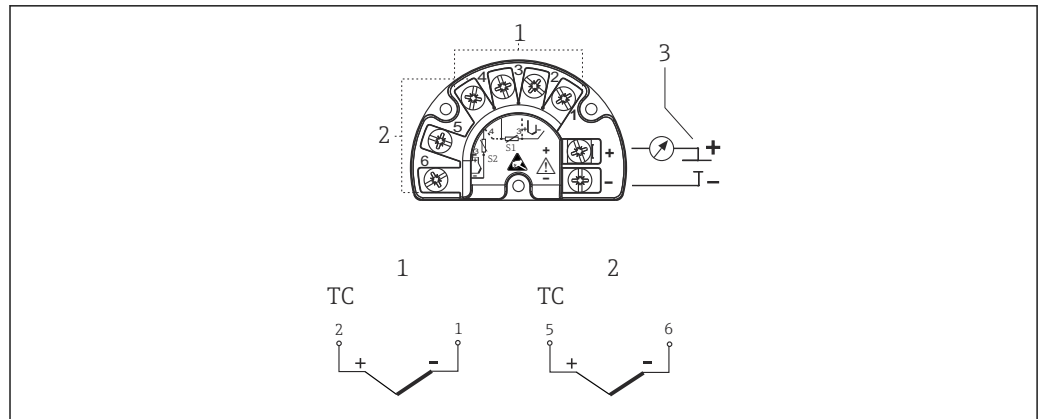
- 1 Sensor input 2
- 2 Sensor input 1
- 3 Bus connection and supply voltage
- 4 Display connection



A0045353

4 Head mounted transmitter TMT7x (single input)

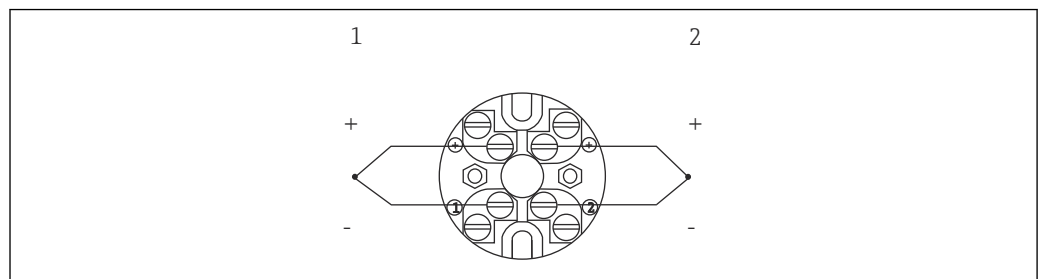
- 1 Sensor input
- 2 Bus connection and supply voltage
- 3 Display connection and CDI interface



A0045636

5 Field mounted transmitter TMT162 (dual Input) or TMT142B (single Input)

- 1 Sensor 1
- 2 Sensor 2 (not TMT142B)
- 3 Power supply field transmitter and analog output 4 to 20 mA or bus connection



A0045637

6 Terminal block mounted

- 1 Sensor 1
- 2 Sensor 2

i The blocks and transmitters are shown as they sit inside the heads in reference to the conduit opening.

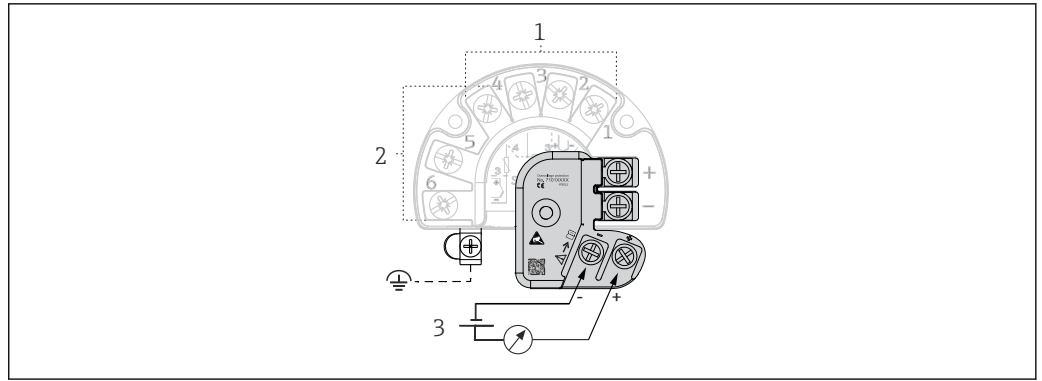
Integrated overvoltage protection

The integrated overvoltage protection module can be ordered as an optional extra ¹⁾. The module protects the electronics from damage from overvoltage. Overvoltage occurring in signal cables (e.g. 4 to 20 mA, communication lines (fieldbus systems) and power supply is diverted to ground. The functionality of the transmitter is not affected as no problematic voltage drop occurs.

Connection data:

Maximum continuous voltage (rated voltage)	$U_C = 42 V_{DC}$
Nominal current	$I = 0.5 A$ at $T_{amb.} = 80\text{ }^\circ C$ (176 °F)
Surge current resistance <ul style="list-style-type: none"> ▪ Lightning surge current D1 (10/350 μs) ▪ Nominal discharge current C1/C2 (8/20 μs) 	<ul style="list-style-type: none"> ▪ $I_{imp} = 1\text{ kA}$ (per wire) ▪ $I_n = 5\text{ kA}$ (per wire) ▪ $I_n = 10\text{ kA}$ (total)
Temperature range	-40 to +80 °C (-40 to +176 °F)
Series resistance per wire	1.8 Ω , tolerance $\pm 5\%$

1) Available for the field transmitter with HART® 7 specification



A0045614

7 Electrical connection of the overvoltage protection

- 1 Sensor 1
- 2 Sensor 2
- 3 Bus connection and supply voltage

Grounding

The device must be connected to the potential equalization. The connection between the housing and the local ground must have a minimum cross-section of 4 mm² (13 AWG) . All ground connections must be secured tightly.

Fieldbus connector

Type (dimensions in mm (in))	Specification		
<p>Fieldbus connector to PROFIBUS® -PA or FOUNDATION Fieldbus™</p> <p>A M12 on PROFIBUS® -PA connector or 7/8-16 UNC on FOUNDATION Fieldbus™ connector</p> <p style="text-align: right; font-size: small;">A0028083</p>	<ul style="list-style-type: none"> ■ Ambient temperature: -40 to 150 °C (-40 to 300 °F) ■ Degree of protection IP 67 <p>Wiring diagram:</p> <table border="1" style="width: 100%; font-size: small;"> <tr> <td>PROFIBUS® -PA Pos. 1: grey (shield) Pos. 2: brown (+) Pos. 3: blue (-) Pos. 4: not connected</td> <td>FOUNDATION Fieldbus™ Pos. 1: blue (-) Pos. 2: brown (+) Pos. 3: not connected Pos. 4: ground (green/yellow)</td> </tr> </table> <p style="text-align: right; font-size: x-small;">A0006023</p>	PROFIBUS® -PA Pos. 1: grey (shield) Pos. 2: brown (+) Pos. 3: blue (-) Pos. 4: not connected	FOUNDATION Fieldbus™ Pos. 1: blue (-) Pos. 2: brown (+) Pos. 3: not connected Pos. 4: ground (green/yellow)
PROFIBUS® -PA Pos. 1: grey (shield) Pos. 2: brown (+) Pos. 3: blue (-) Pos. 4: not connected	FOUNDATION Fieldbus™ Pos. 1: blue (-) Pos. 2: brown (+) Pos. 3: not connected Pos. 4: ground (green/yellow)		

Performance characteristics

Reference conditions These data are relevant for determining the accuracy of the temperature transmitters used. More information on this can be found in the Technical Information of the iTEMP temperature transmitters.


Response time 63% response time per ASTM E839

Junction style	Ø $\frac{1}{16}$ "	Ø $\frac{1}{8}$ "	Ø $\frac{3}{16}$ "	Ø $\frac{1}{4}$ "	Ø $\frac{3}{8}$ "
Grounded	0.3 s	0.6 s	0.9 s	1.3 s	3.5 s
Ungrounded	0.4 s	1.6 s	2.4 s	2.9 s	7.2 s

 Response time for the sensor assembly without transmitter.

Maximum measured error Thermocouples corresponding to ASTM E230

Type	Temperature range	Standard tolerance (IEC class 2)	Special tolerance (IEC class 1)
		[°C] whichever is greater	[°C] whichever is greater
E	0 to 870 °C (32 to 1600 °F)	±1.7 or ±0.5%	±1 or ±0.4%
J	0 to 760 °C (32 to 1400 °F)	±2.2 or ±0.75%	±1.1 or ±0.4%
K	0 to 1260 °C (32 to 2300 °F)	±2.2 or ±0.75%	±1.1 or ±0.4%
T	0 to 370 °C (32 to 700 °F)	±1 or 0.75%	±0.5 or ±0.4%
N	0 to 1260 °C (32 to 2300 °F)	±2.2 or ±0.75%	±1.1 or ±0.4%

 For measurement errors in °F, calculate using equation above in °C, then multiply the outcome by 1.8.

Transmitter long-term stability ≤ 0.1 °C (0.18 °F) / year or ≤ 0.05 % / year

Data under reference conditions; % relates to the set span. The larger value applies.

Insulation resistance Insulation resistance for MgO insulated thermocouples with ungrounded hot junction between terminals and probe sheath, test voltage 500 V_{DC}.
1000 MΩ at 25 °C (77 °F)

These values for insulation resistance also apply between each thermocouple wire at single and duplex constructions with ungrounded hot junction.

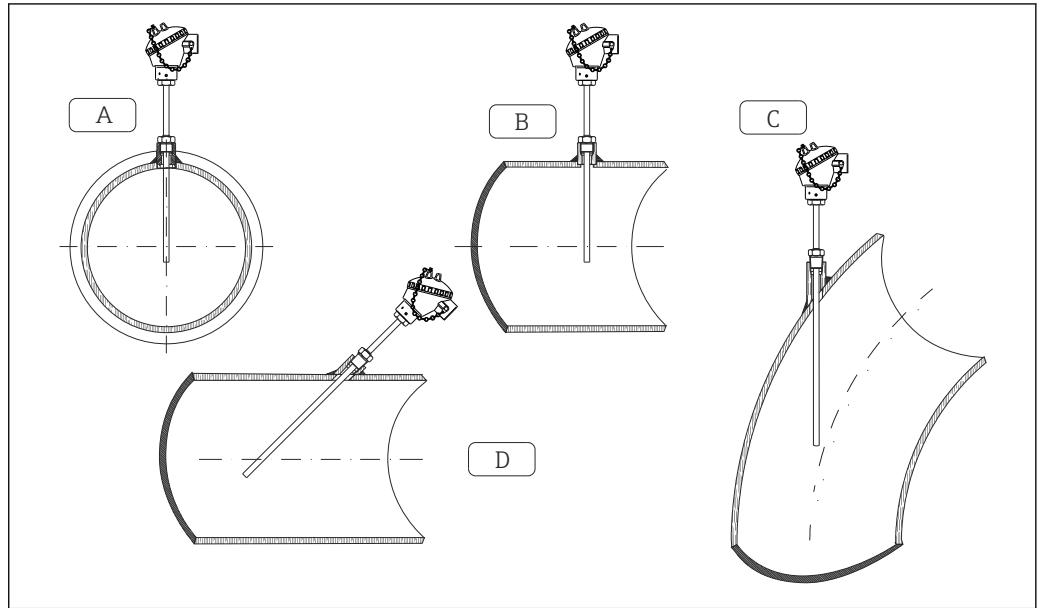
Calibration specifications The manufacturer provides comparison temperature calibrations from -20 to +300 °C (-4 to +573 °F) on the ITS-90 (International Temperature Scale). Calibrations are traceable to standards maintained by the National Institute of Standards and Technology (NIST). Calibration services are in conformance with ASTM E220. The report of calibration is referenced to the serial number of the RTD assembly.

Three point calibrations are provided, given that the specified temperatures are within the recommended range and the minimum length requirements are met as specified. The minimum length is based on overall length 'x' of the spring loaded insert.

Installation conditions

Orientation No restrictions.

Installation instructions



8 Installation examples

A-B In pipes with a small cross section the thermowell tip should reach or extend slightly past the center line of the pipe (= U)
 C-D Tilted installation

The immersion length of the thermometer influences the accuracy. If the immersion length is too small then errors in the measurement are caused by heat conduction via the process connection and the container wall. If installing into a pipe then the immersion length should be at least half of the pipe diameter. A further solution could be an angled (tilted) installation (see C-D). When determining the immersion length all thermometer parameters and the process to be measured must be taken into account (e.g. flow velocity, process pressure).

- Installation possibilities: Pipes, tanks or other plant components
- Minimum immersion length should be 10 times the OD of the sheath, nominal.

Environment

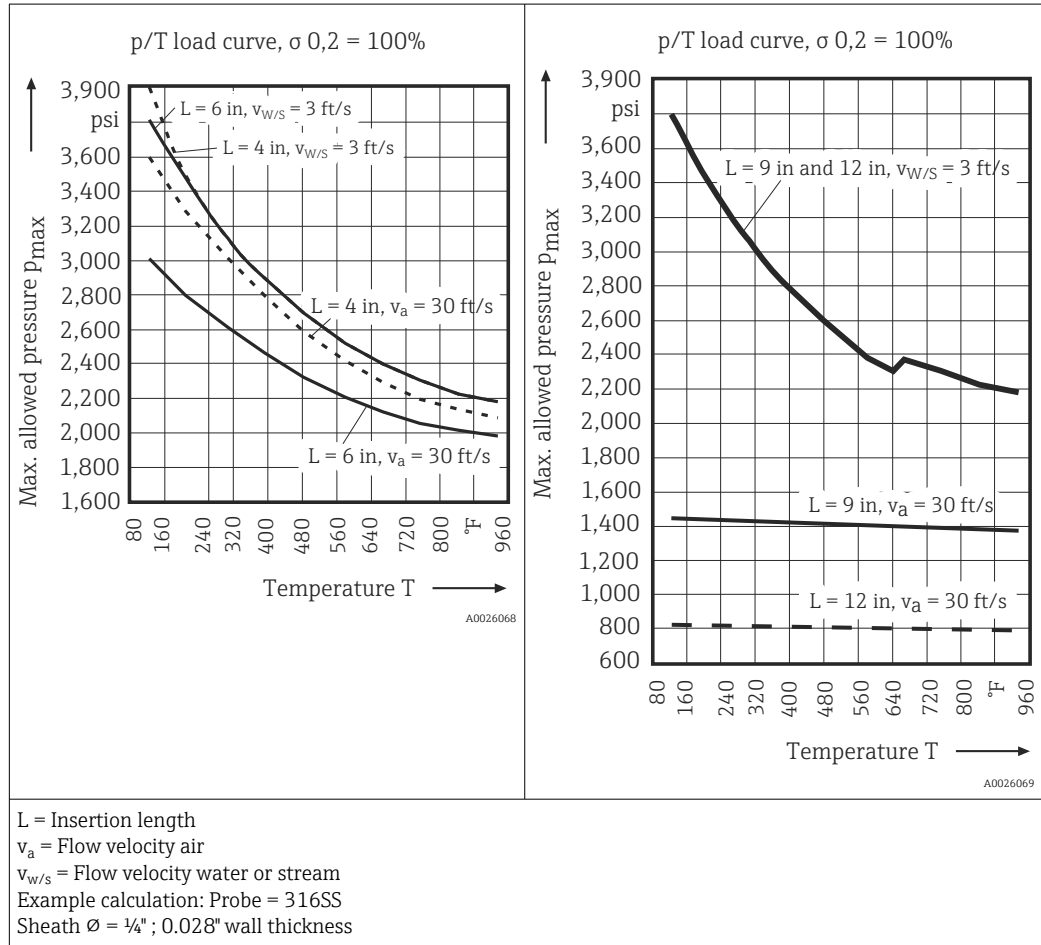
Ambient temperature range	Terminal head	Temperature in °C (°F)
	Without mounted head transmitter	Depends on the terminal head used and the cable gland or fieldbus connector, see 'Terminal heads' section
	With mounted head transmitter	-40 to 85 °C (-40 to 185 °F) SIL mode (HART 7 transmitter): -40 to 70 °C (-40 to 158 °F)
	With mounted head transmitter and display	-20 to 70 °C (-4 to 158 °F)
	With mounted field transmitter	<ul style="list-style-type: none"> ■ Without display: -40 to 85 °C (-40 to 185 °F) ■ With display and/or integrated overvoltage protection module: -40 to +80 °C (-40 to +176 °F) ■ SIL mode: -40 to +75 °C (-40 to +167 °F)

Shock and vibration resistance 4 g/2 to 150 Hz as per IEC 60068-2-6

Process

Process pressure limits

p/T load curve example according to Dittrich



i Avoid resonance frequency as this will cause damage to the probe!

- L = 4 and 6 in:
 Resonance frequency occurs when permanent flow velocity is at 18.1, 22.6 or 27.1 ft/s (air) for 6 in and/or 40.5, 50.6 or 60.8 ft/s (air) for 4 inch probe (T = 482 °F, p = 2700/2600 psi).
- L = 9 and 12 in:
 Resonance frequency occurs when permanent flow velocity is at 8.1, 10.1 or 12.1 ft/s (air) for 9 inch and/or 4.6, 5.7 or 6.8 ft/s (air) for 12 inch probe (T = 482 °F, p = 2600 psi).


i The calculation was done for pipes only, for MgO insulated thermocouples the values might be higher. In any case for different lengths, other materials, variation in sheath diameter or wall thicknesses, stress analysis is recommended. Failures are caused by forces imposed by static pressure, steady state flow, and vibration.

Max. allowable process pressure (PSIG) for instrumentation with one time adjustable compression fittings.

Temperature °C (°F)	1/8" NPT and 1/4" NPT compression fitting				
	Sheath $\varnothing = 1/16"$	Sheath $\varnothing = 1/8"$	Sheath $\varnothing = 3/16"$	Sheath $\varnothing = 1/4"$	Sheath $\varnothing = 3/8"$ 1)
-28 to 204 °C (-20 to 300 °F)	3300	2850	3150	3350	3900
204 °C (400 °F)	3200	2750	3050	3250	3800
260 °C (500 °F)	3000	2550	2850	3000	3500
316 °C (600 °F)	2800	2400	2700	2850	3300

Temperature	1/8" NPT and 1/4" NPT compression fitting				
	Sheath \varnothing = 1/16"	Sheath \varnothing = 1/8"	Sheath \varnothing = 3/16"	Sheath \varnothing = 1/4"	Sheath \varnothing = 3/8" ¹⁾
371 °C (700 °F)	2 700	2 350	2 600	2 750	3 200
427 °C (800 °F)	2 650	2 300	2 550	2 650	3 100
482 °C (900 °F)	2 600	2 200	2 450	2 600	3 050
538 °C (1 000 °F)	2 400	2 100	2 300	2 450	2 850

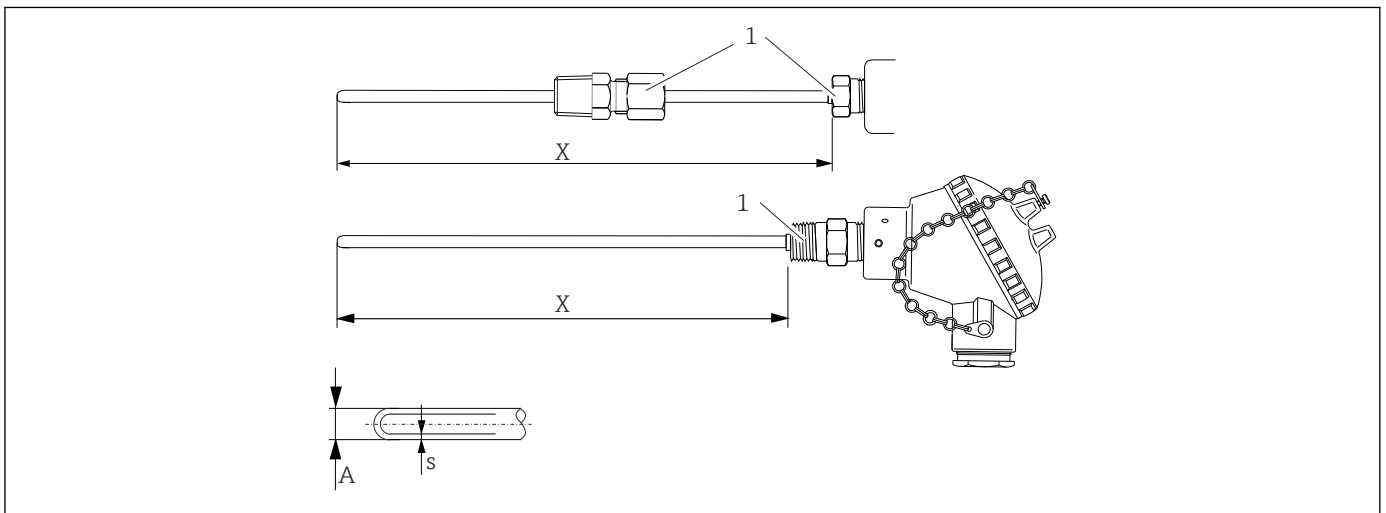
1) not available with compression fittings 1/8" NPT

 Re-adjustable compression fittings are not intended to be used for pressure retaining applications and should only be used for the mechanical holding of sensors.

Mechanical construction

Design, dimensions

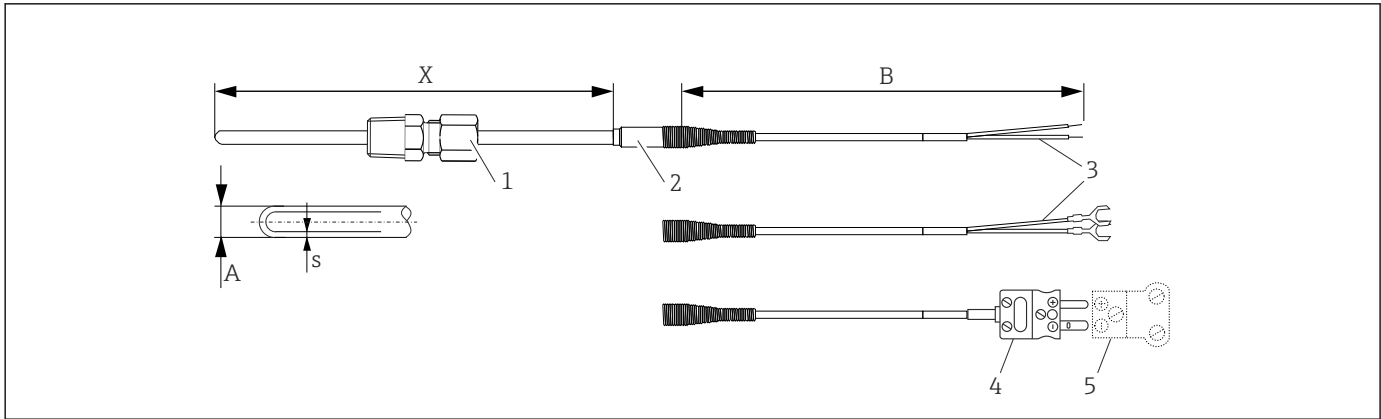
For values related to the graphics please refer to the table below.



A0051937

 9 Design of TH51

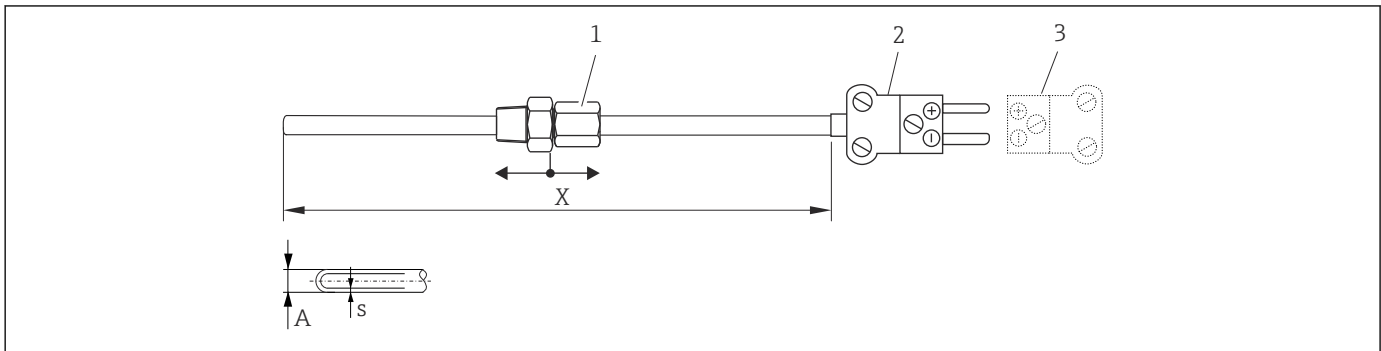
- 1 Process connection: Thread, none or compression fitting
- A Sheath diameter
- s Wall thickness



A0051939

10 Design of TH52

- 1 Process connection not selected or with compression fitting
- 2 Extension leadwire transition with relief spring (400 °F)
- 3 Leadwire termination: Stripped leads or stripped leads with fork lugs
- 4 Plug version
- 5 Female jack
- A Sheath diameter
- B Wire length
- s Wall thickness



A0051940

11 Design of TH56

- 1 Process connection not selected or with compression fitting
- 2 Plug version
- 3 Female jack
- A Sheath diameter
- s Wall thickness

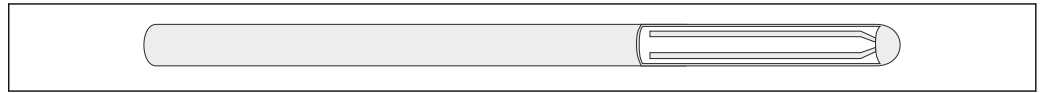
i Duplex version (2 elements) of TH56 is not available.

Dimensions in inches


Immersion length X			Wire length B	Sheath diameter A	Wall thickness S
TH51	TH52	TH56			
4", 6", 9", 12"	6", 12", 18", 24"	12", 18", 24", 48", 72", 96"	48", 72", 120" specified length 12" to 300" in 12" increments	∅ ¹ / ₁₆ "	0.007"
				∅ ¹ / ₈ "	0.014"
				∅ ³ / ₁₆ "	0.022"
				∅ ¹ / ₄ "	0.029"
specified length 2" to 96" in ½" increments				∅ ³ / ₈ "	0.045"

Hot or measuring junction

Grounded junction

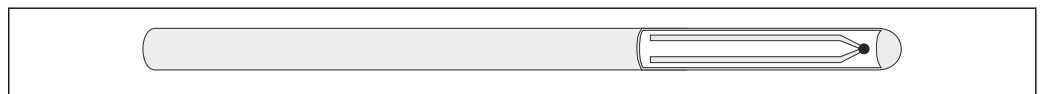


A0026086


 12 *Grounded junction*

The thermocouple junction is welded securely into the closure end of the sheath, becoming an integral part of the weld. This is a good general purpose, low cost junction providing faster response times than an ungrounded junction of similar sheath diameter. Grounded junctions should not be used with Type T thermocouples, due to the copper wire. For a reliable temperature reading of grounded thermocouples transmitters with galvanic isolation are strongly recommended. iTEMP transmitters have galvanic isolation of min. 2 kV (from the sensor input to the output and the housing).


Ungrounded junction



A0026087

 13 *Ungrounded junction*

The welded thermocouple junction is fully isolated from the welded closed end sheath. This junction provides electrical isolation to reduce problems associated with electrical interference. Ungrounded junctions are also recommended for use in extreme positive or negative temperatures, rapid thermal cycling and for ultimate corrosion resistance of the sheath alloy. iTEMP transmitters have an excellent noise immunity (EMC) meeting all requirements listed under IEC 61326 for use in noisy environments.

 Dual ungrounded elements supplied with individually isolated junctions, except $\varnothing 1/16"$ which are supplied with common junctions.

Weight

0.5 to 2.5 kg (1 to 5.5 lb)

Material

Process connection, terminal head and sheath

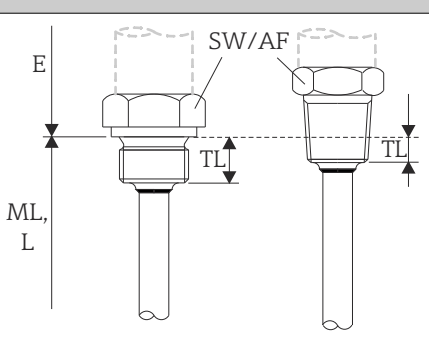
The temperatures for continuous operation specified in the following table are only intended as reference values for use of the various materials in air and without any significant compressive load. The maximum operation temperatures are reduced considerably in some cases where abnormal conditions such as high mechanical load occur or in aggressive media.

Material name	Short form	Recommended max. temperature for continuous use in air	Properties
AISI 316/ 1.4401	X5CrNiMo17-12-2	650 °C (1202 °F) ¹⁾	<ul style="list-style-type: none"> ■ Austenitic, stainless steel ■ High corrosion resistance in general ■ Particularly high corrosion resistance in chlorine-based and acidic, non-oxidizing atmospheres through the addition of molybdenum (e.g. phosphoric and sulfuric acids, acetic and tartaric acids with a low concentration)
AISI 316L/ 1.4404 1.4435	X2CrNiMo17-12-2 X2CrNiMo18-14-3	650 °C (1202 °F) ¹⁾	<ul style="list-style-type: none"> ■ Austenitic, stainless steel ■ High corrosion resistance in general ■ Particularly high corrosion resistance in chlorine-based and acidic, non-oxidizing atmospheres through the addition of molybdenum (e.g. phosphoric and sulfuric acids, acetic and tartaric acids with a low concentration) ■ Increased resistance to intergranular corrosion and pitting ■ Compared to 1.4404, 1.4435 has even higher corrosion resistance and a lower delta ferrite content
Alloy600/ 2.4816	NiCr15Fe	1100 °C (2012 °F)	<ul style="list-style-type: none"> ■ A nickel/chromium alloy with very good resistance to aggressive, oxidizing and reducing atmospheres, even at high temperatures ■ Resistant to corrosion caused by chlorine gas and chlorinated media as well as many oxidizing mineral and organic acids, sea water etc. ■ Corrosion from ultrapure water ■ Not to be used in a sulfur-containing atmosphere

1) Can be used to a limited extent up to 800 °C (1472 °F) for low compressive loads and in non-corrosive media. Please contact your Endress+Hauser sales team for further information.

Process connection

Thread

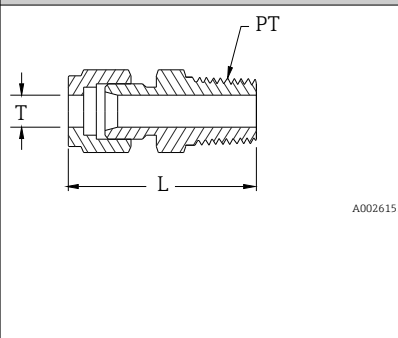
Threaded process connection	Version	Thread length TL	Width across flats	Max. process pressure
 <p>14 Cylindrical (left side) and conical (right side) version</p>	G ½" DIN / BSP ¹⁾	0.6 in	1.06 in	Maximum static process pressure for threaded process connection: ²⁾ 400 bar (5802 psi) at +400 °C (+752 °F)
	NPT ½"	0.32 in	0.87 in	

1) DIN ISO 228 BSPP
 2) Maximum pressure specifications only for the thread. The failure of the thread is calculated, taking the static pressure into consideration. The calculation is based on a fully tightened thread (TL = thread length)

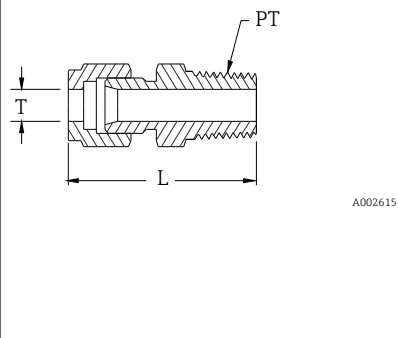
Compression fitting

All dimensions in inch

Re-adjustable compression fittings in stainless steel with FEP ferrule

Type of fitting	Tube size - Outer diameter (T) in inch	Process thread (PT) in inch	Length (L) in inch
	1/8	1/8" NPT	1 1/4
	3/16	1/8" NPT	1 1/4
	1/4	1/4" NPT	1 1/2
	3/8	1/4" NPT	1 1/2
	1/4	1/8" NPT	1 1/4
	1/8	1/4" NPT	1 1/2
	3/16	1/4" NPT	1 1/2
	1/4	1/2" NPT	1 3/4

One-time adjustable compression fittings in stainless steel with SS ferrule

Type of fitting	Tube size - Outer diameter (T) in inch	Process thread (PT) in inch	Length (L) in inch
	1/8	1/8" NPT	1 1/4
	3/16	1/8" NPT	1 1/4
	1/4	1/8" NPT	1 1/4
	1/8	1/4" NPT	1 1/2
	3/16	1/4" NPT	1 1/2
	1/4	1/4" NPT	1 1/2
	3/8	1/4" NPT	1 1/2
	1/4	1/2" NPT	1 3/4

Housing

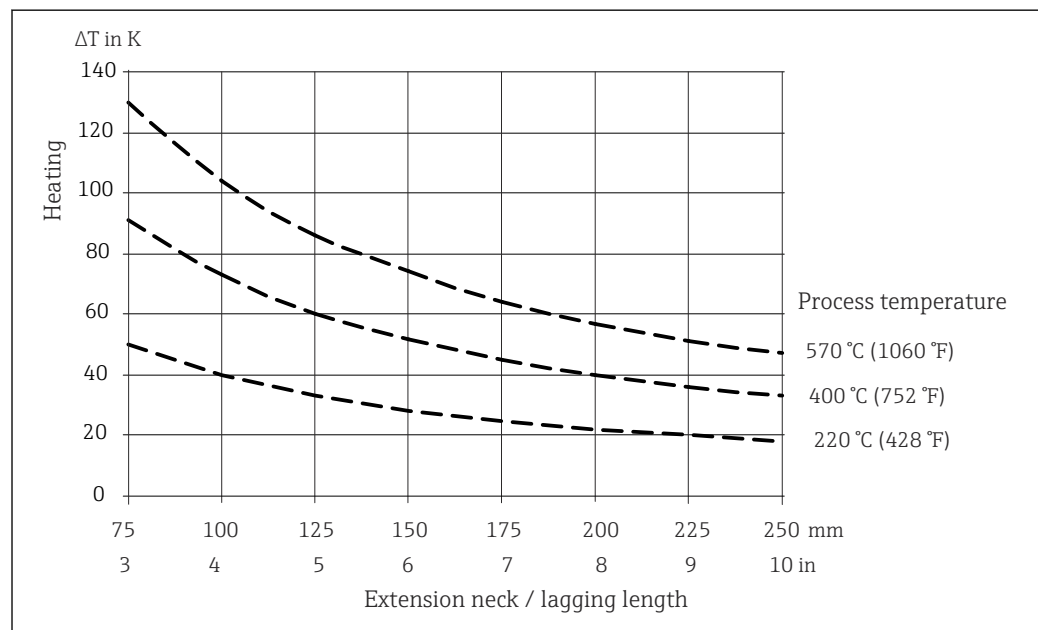
Terminal heads


All terminal heads have an internal shape and size in accordance with DIN EN 50446, flat face and a thermometer connection with a 1/2" NPT thread. All dimensions in mm (in). Specifications without head transmitter installed. For ambient temperatures with head transmitter installed, see the 'Environment' section.

As a special feature, Endress+Hauser offers terminal heads with optimized terminal accessibility for easy installation and maintenance.

 Some of the specifications listed below may not be available on this product line.

As illustrated in the following diagram, the length of the extension neck can influence the temperature in the terminal head. This temperature must remain within the limit values defined in the "Operating conditions" section.

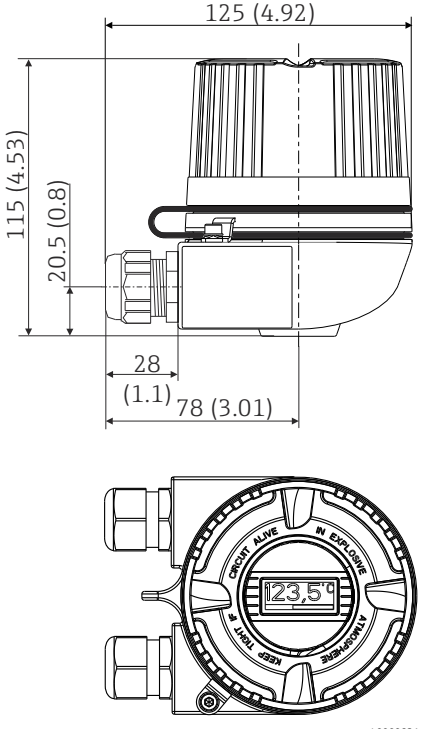


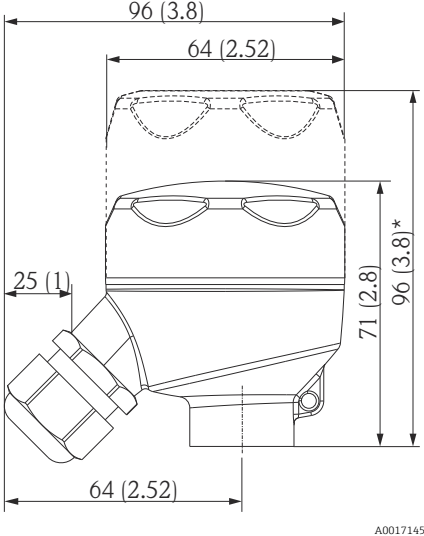
 15 Heating of the terminal head as a function of the process temperature. Temperature in terminal head = ambient temperature 20 °C (68 °F) + ΔT

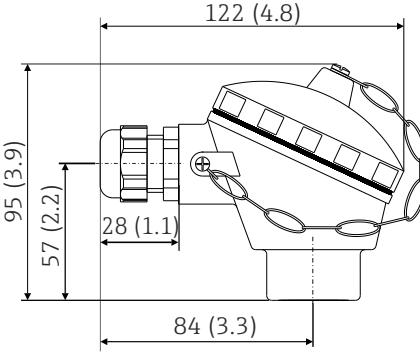
The diagram can be used to calculate the transmitter temperature.

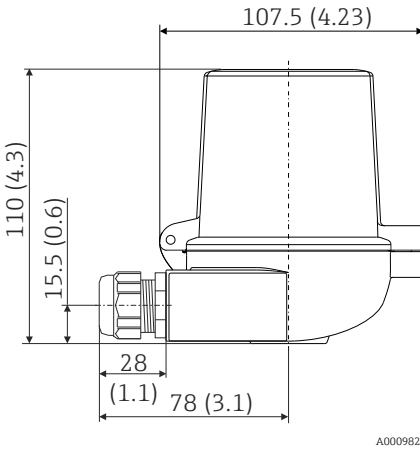
Example: At a process temperature of 220 °C (428 °F) and with a lagging length of 100 mm (3.94 in), the heat conduction is 40 K (72 °F). The transmitter temperature is therefore 40 K (72 °F) plus the ambient temperature, e.g. 25 °C (77 °F): 40 K (72 °F) + 25 °C (77 °F) = 65 °C (149 °F).

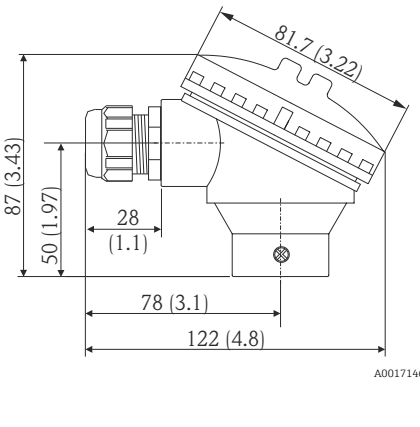
Result: The temperature of the transmitter is o.k., the length of the lagging is sufficient.

TA30H with display window in cover	Specification
 <p style="text-align: right; font-size: small;">A0009831</p>	<ul style="list-style-type: none"> ▪ Flameproof (XP) version, explosion-protected, captive screw cap, available with one or two cable entries ▪ Degree of protection: IP 66/68, NEMA Type 4x encl. Ex-version: IP 66/67 ▪ Temperature: -50 to +150 °C (-58 to +302 °F) for rubber seal without cable gland (observe max. permitted temperature of cable gland!) ▪ Material: <ul style="list-style-type: none"> ▪ Aluminum; polyester powder coated ▪ Stainless steel 316L without coating ▪ Klüber Syntheso Glep 1 dry-film lubricant ▪ Display window: single-pane safety glass according to DIN 8902 ▪ Thread: ½" NPT, ¾" NPT, M20x1.5, G½" ▪ Extension neck/thermowell connection: M20x1.5 or ½" NPT ▪ Color of aluminum head: blue, RAL 5012 ▪ Color of aluminum cap: gray, RAL 7035 ▪ Weight: <ul style="list-style-type: none"> ▪ Aluminum approx. 860 g (30.33 oz) ▪ Stainless steel approx. 2 900 g (102.3 oz) ▪ Head transmitter optionally available with TID10 display <p>i If the housing cover is unscrewed: Before tightening, clean the thread in the cover and housing base and lubricate if necessary (Recommended lubricant: Klüber Syntheso Glep 1)</p>

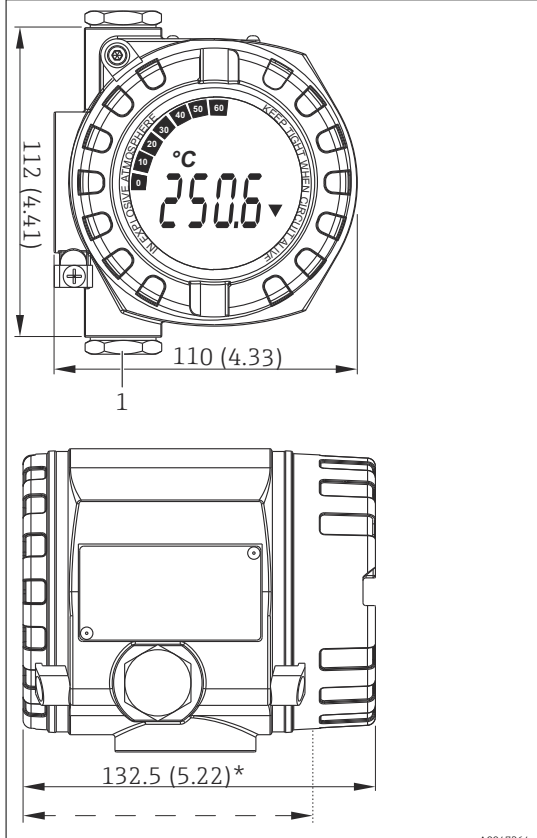
TA30R (optionally with display window in cover)	Specification
 <p style="text-align: right; font-size: small;">A0017145</p> <p>* Dimensions of version with display window in cover</p>	<ul style="list-style-type: none"> ▪ Degree of protection - standard version: IP69K (NEMA Type 4x encl.) Degree of protection - version with display window: IP66/68 (NEMA Type 4x encl.) ▪ Temperature: -50 to +130 °C (-58 to +266 °F) without cable gland ▪ Material: stainless steel 316L, abrasive-blasted or polished Seals: silicone, optional EPDM for applications free from paint-wetting impairment substances Display window: polycarbonate (PC) ▪ Cable entry thread ½" NPT and M20x1.5 ▪ Weight <ul style="list-style-type: none"> ▪ Standard version: 360 g (12.7 oz) ▪ Version with display window: 460 g (16.23 oz) ▪ Display window in cover optionally for head transmitter with display TID10 ▪ Protection armature connection: M24x1.5 or ½" NPT ▪ Ground terminal: internal as standard ▪ Available with 3-A marked sensors ▪ Not allowed for Class II and III applications

TU401	Specification
 <p>A0008669</p>	<ul style="list-style-type: none"> ■ Protection class: IP65 (NEMA Type 4x encl.) ■ Temperature: -40 to 130 °C (-40 to 266 °F) silicone, up to 100 °C (212 °F) rubber seal without cable gland (observe max. permitted temperature of the cable gland!) ■ Material: aluminum alloy with polyester or epoxy coating, rubber or silicone seal under the cover ■ Cable entry: M20x1.5 or plug M12x1 PA ■ Protection armature connection: M24x1.5, G 1/2" or NPT 1/2" ■ Head color: blue, RAL 5012 ■ Cap color: gray, RAL 7035 ■ Weight: 300 g (10.58 oz)

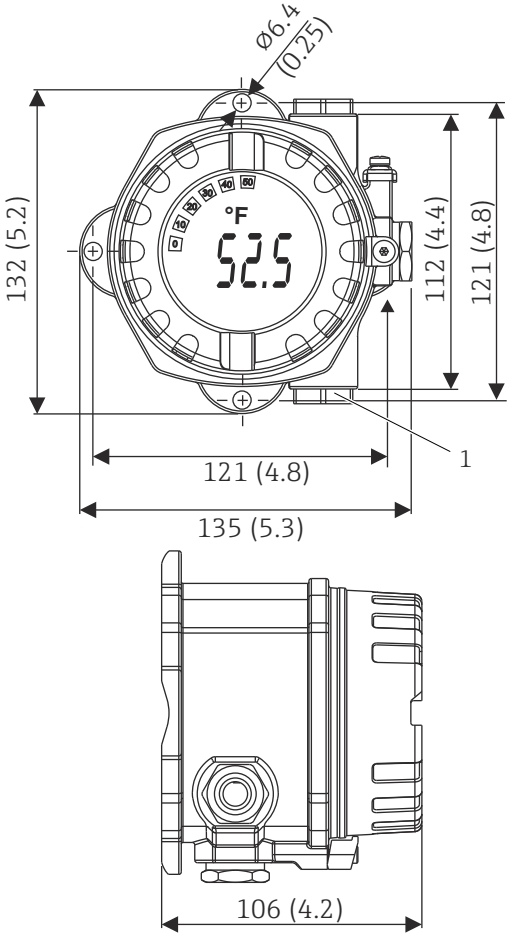
TU401 (TA30D style)	Specification
 <p>A0009822</p>	<ul style="list-style-type: none"> ■ Available with one or two cable entries ■ Protection class: IP66/68 (NEMA Type 4x encl.) ■ Temperature: -50 to +150 °C (-58 to +302 °F) without cable gland ■ Material: aluminum, polyester powder coated ■ Seals: silicone ■ Threaded cable entry: G 1/2", 1/2" NPT and M20x1.5 ■ Protection armature connection: M24x1.5 ■ Two head transmitters can be mounted. In the standard version, one transmitter is mounted in the terminal head cover and an additional terminal block is installed directly on the insert. ■ Head color: blue, RAL 5012 ■ Cap color: gray, RAL 7035 ■ Weight: 390 g (13.75 oz) ■ Ground terminal, internal and external ■ With 3-A symbol

TU401 (TA30S style)	Specification
 <p>A0017146</p>	<ul style="list-style-type: none"> ■ Degree of protection: IP65 (NEMA Type 4x encl.) ■ Temperature: -40 to +85 °C (-40 to +185 °F) without cable gland ■ Material: polypropylene (PP), FDA-compliant, seals: O-ring EPDM ■ Cable entry thread: 3/4" NPT (with adapter for 1/2" NPT), M20x1.5 ■ Protective assembly connection: 1/2" NPT ■ Color: white ■ Weight: approx. 100 g (3.5 oz) ■ Ground terminal: only internal via auxiliary terminal <p>CAUTION</p> <p>Potential electrostatic charging hazard</p> <ul style="list-style-type: none"> ▶ Not recommended for use in hazardous (classified) locations.

Field transmitters

Temperature field transmitter iTEMP TMT162	Specification
 <p data-bbox="496 1131 1034 1176">1 Instrument connection for direct mounting assembly</p> <p data-bbox="496 1187 1034 1232">* Dimensions without display = 112 mm (4.41 in)</p>	<ul style="list-style-type: none"> ■ Separate electronics compartment and connection compartment ■ Protection class: IP67, NEMA type 4x ■ Material: Die-cast aluminum housing AlSi10Mg with powder coating on polyester base or stainless steel 316L ■ Display rotatable in 90° increments ■ Cable entry: 2x ½" NPT ■ Brilliant backlit display with ease of visibility in bright sunshine or pitch darkness ■ Gold plated terminals to avoid corrosion and additional measurement errors ■ SIL certification as per IEC 61508:2010 (HART-protocol)

Temperature field transmitter iTEMP TMT162 for hygienic applications	Specification
<p data-bbox="418 1368 874 1397">* Dimensions without display = 112 mm (4.41 in)</p> <p data-bbox="1023 1330 1075 1346">A0047437</p>	<ul style="list-style-type: none"> <li data-bbox="1091 315 1406 389">■ Material: Stainless steel 1.4435 (AISI 316L) for hygienic applications (T17 housing) <li data-bbox="1091 394 1430 445">■ Separate electronics compartment and connection compartment <li data-bbox="1091 450 1430 477">■ Display rotatable in 90° increments <li data-bbox="1091 481 1326 508">■ Cable entry: 2 x ½" NPT <li data-bbox="1091 512 1374 539">■ Degree of protection (IP69K) <li data-bbox="1091 544 1414 618">■ Brilliant backlit display with ease of visibility in bright sunshine or pitch darkness <li data-bbox="1091 622 1390 696">■ Gold plated terminals to avoid corrosion and additional measurement errors

Temperature field transmitter iTEMP TMT142B	Specification
 <p data-bbox="507 1249 1027 1276">1 Instrument connection for direct mounting assembly</p>	<ul style="list-style-type: none"> ■ Protection class: IP66/67, NEMA type 4x ■ Material: Die-cast aluminum housing AlSi10Mg with powder coating on polyester base or stainless steel 316L ■ Display rotatable in 90° increments ■ Integrated Bluetooth® interface for wireless measured value display and parameter configuration, optional ■ Brilliant backlit display with ease of visibility in bright sunshine or pitch darkness ■ Gold plated terminals to avoid corrosion and additional measurement errors

Certificates and approvals

Current certificates and approvals for the product are available via the Product Configurator at www.endress.com.

1. Select the product using the filters and search field.
2. Open the product page.

The **Configuration** button opens the Product Configurator.

Ordering information

Detailed ordering information is available for your nearest sales organization www.addresses.endress.com or in the Product Configurator under www.endress.com :

1. Click Corporate
2. Select the country
3. Click Products
4. Select the product using the filters and search field
5. Open the product page

The Configuration button to the right of the product image opens the Product Configurator.

Product Configurator - the tool for individual product configuration

- Up-to-the-minute configuration data
- Depending on the device: Direct input of measuring point-specific information such as measuring range or operating language
- Automatic verification of exclusion criteria
- Automatic creation of the order code and its breakdown in PDF or Excel output format
- Ability to order directly in the Endress+Hauser Online Shop

Accessories

Various accessories, which can be ordered with the device or subsequently from Endress+Hauser, are available for the device. Detailed information on the order code in question is available from your local Endress+Hauser sales center or on the product page of the Endress+Hauser website:

www.endress.com.


Device-specific accessories


Mounting bracket	SS316L, for tube 1.5...3" Order code: 51007995
Spare Parts Kit Cover TA30R	XPT0004-
Cable gland	½" NPT, D4.5-8.5, IP 68 Order code: 51006845
Configuration kit TXU10	Configuration kit for PC-programmable transmitter with setup software and interface cable for PC with USB port Order code: TXU10-xx
Integrated overvoltage protection module	The module protects the electronics from overvoltage. Available for TMT162 housing (not T17 hygienic version).

Service-specific accessories




Accessories	Description
Applicator	<p>Software for selecting and sizing Endress+Hauser measuring devices:</p> <ul style="list-style-type: none"> ▪ Calculation of all the necessary data for identifying the optimum measuring device: e.g. pressure loss, accuracy or process connections. ▪ Graphic illustration of the calculation results <p>Administration, documentation and access to all project-related data and parameters over the entire life cycle of a project.</p> <p>Applicator is available:</p> <ul style="list-style-type: none"> ▪ Via the Internet: https://portal.endress.com/webapp/applicator ▪ On CD-ROM for local PC installation.
Configurator	<p>Product Configurator - the tool for individual product configuration</p> <ul style="list-style-type: none"> ▪ Up-to-the-minute configuration data ▪ Depending on the device: Direct input of measuring point-specific information such as measuring range or operating language ▪ Automatic verification of exclusion criteria ▪ Automatic creation of the order code and its breakdown in PDF or Excel output format ▪ Ability to order directly in the Endress+Hauser Online Shop <p>The Configurator is available on the Endress+Hauser website: www.endress.com -> Click "Corporate" -> Select country -> Click "Products" -> Select the product using the filters and search field -> Open product page -> The "Configure" button to the right of the product image opens the Product Configurator.</p>

W@M	<p>Life cycle management for your plant</p> <p>W@M supports with a wide range of software applications over the entire process: from planning and procurement, to the installation, commissioning and operation of the measuring devices. All the relevant device information, such as the device status, spare parts and device-specific documentation, is available for every device over the entire life cycle.</p> <p>The application already contains the data of your Endress+Hauser device. Endress+Hauser also takes care of maintaining and updating the data records.</p> <p>W@M is available:</p> <ul style="list-style-type: none"> ▪ Via the Internet: www.endress.com/lifecyclemanagement ▪ On CD-ROM for local PC installation.
-----	---

FieldCare SFE500	<p>FDT-based plant asset management tool from Endress+Hauser. It can configure all smart field units in your system and helps you manage them. By using the status information, it is also a simple but effective way of checking their status and condition.</p> <p> For details, see Operating Instructions BA00027S and BA00065S</p>
------------------	--


DeviceCare SFE100	<p>Configuration tool for devices via fieldbus protocols and Endress+Hauser service protocols.</p> <p>DeviceCare is the tool developed by Endress+Hauser for the configuration of Endress+Hauser devices. All smart devices in a plant can be configured via a point-to-point or point-to-bus connection. The user-friendly menus enable transparent and intuitive access to the field devices.</p> <p> For details, see Operating Instructions BA00027S</p>
-------------------	---

System components

Accessories	Description
Process display RIA15	<p>The display unit records the analog measuring signal from the head transmitter and shows this on the display. The LC display shows the current measured value in digital form and as a bar graph indicating a limit value violation. The process display unit is integrated in the 4 to 20 mA or HART® loop and is powered directly from the current loop. Optionally up to four of a sensor's HART® process variables can be displayed.</p> <p> For details, see the "Technical Information" document TI01043K</p>
RN42 active barrier, wide range power supply	<p>1-channel wide range supply and active barrier for safe isolation of 4 to 20 mA standard signal circuits.</p> <p> For details, see "Technical Information", TI01584K</p>
RMA42 Process transmitter with control unit	<p>Universal transmitter, loop power supply, barrier and limit switch in one device.</p> <p> For details, see "Technical Information", TI00150R</p>

Supplementary documentation

The following types of documentation are available on the product pages and in the Download Area of the Endress+Hauser website (www.endress.com/downloads) (depending on the selected device version):

Document	Purpose and content of the document
Technical Information (TI)	Planning aid for your device The document contains all the technical data on the device and provides an overview of the accessories and other products that can be ordered for the device.
Brief Operating Instructions (KA)	Guide that takes you quickly to the 1st measured value The Brief Operating Instructions contain all the essential information from incoming acceptance to initial commissioning.
Operating Instructions (BA)	Your reference document The Operating Instructions contain all the information that is required in various phases of the life cycle of the device: from product identification, incoming acceptance and storage, to mounting, connection, operation and commissioning through to troubleshooting, maintenance and disposal.
Description of Device Parameters (GP)	Reference for your parameters The document provides a detailed explanation of each individual parameter. The description is aimed at those who work with the device over the entire life cycle and perform specific configurations.
Safety Instructions (XA)	Depending on the approval, Safety Instructions (XA) are supplied with the device. The Safety Instructions are an integral part of the Operating Instructions.  Information on the Safety Instructions (XA) that are relevant for the device is provided on the nameplate.
Supplementary device-dependent documentation (SD/FY)	Always comply strictly with the instructions in the relevant supplementary documentation. The supplementary documentation is an integral part of the device documentation.



71601759

www.addresses.endress.com